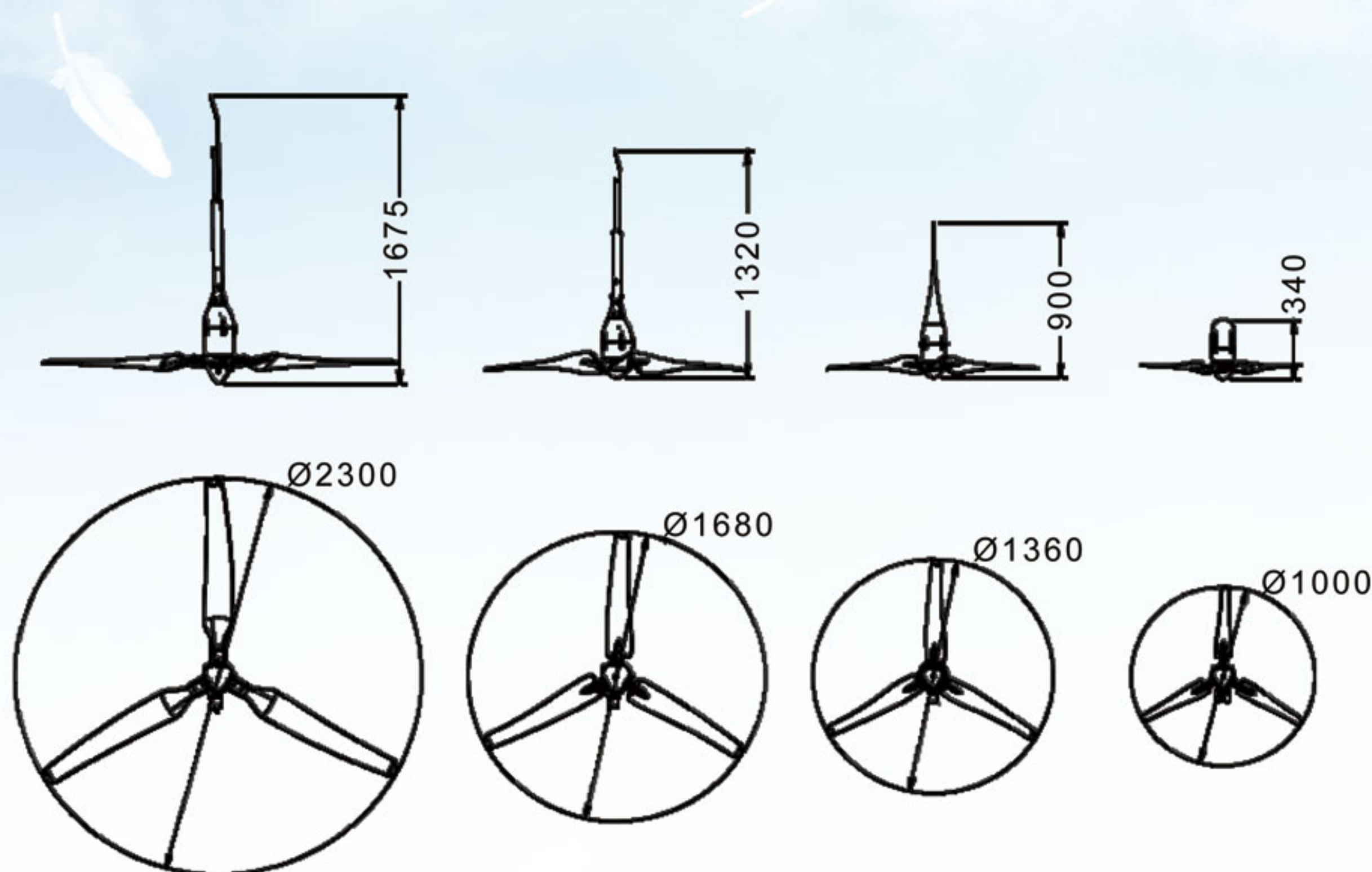


### Features:

- Horizontal axis design to collect wind energy efficiency
- Direct drive style, high efficiency and low rotation speed permanent magnet generator
- Air-drive high efficiency blade design, the wind turbine starts in low wind speed
- Low rotational speed and with low noise
- Lightweight design, and easy to install
- Advanced and convenient controller, and high wind speed protecting system
- Simple but strong structure design, without any special maintenance
- Applicable to PV Module 85W ~200W

### Dimension (mm)



Model	WT-0100	WT-0300	WT-0600	WT-1200
Wind turbine type	Down-wind	Horizontal axis up-wind		
Rated power	100W(12m/s)	300W(12m/s)	600W(12m/s)	1,200W(12m/s)
Rated rotor speed	920 rpm	830 rpm	650 rpm	480 rpm
Output Voltage	12V(DC)	12V(DC)	24V(DC)	48V(DC)
Rotor diameter	1,000mm	1,360mm	1,680mm	2,300mm
Weight(Include blade)	6Kg	11Kg	20Kg	27Kg
Blade material	PP+GF			FRP
Body material	Aluminum Alloy			
Generator	Three-phase synchronous permanent magnet generator			
Yaw control	Free(360°)			
Start-up wind speed	2.5m/sec			
Control system	Auto safety control			
Braking system	Electronic stall regulation		Electronic stall regulation auto furl	
Survival wind speed	60m/s			





Hybrid Controller			
System voltage	12VDC	24VDC	48VDC
Max open voltage	50VAC		
Max circuit	40A		
Max open voltage	70VDC		
Max circuit	20A		
Max load circuit	10A		
Cut out voltage	11.5VDC	23VDC	46VDC
Operating voltage	10~15VDC	20~30VDC	40~60VDC
Float voltage	14VDC	28VDC	56VDC
Dip switch mode	2hr、4hr、6hr、8hr、10hr、12hr、night light up, not movements		
Protect	LVD protect, over load, ground, manual break		
Alarm	Load blink alarm, voltage unusual alarm		
Display	Voltage display, start light display		

