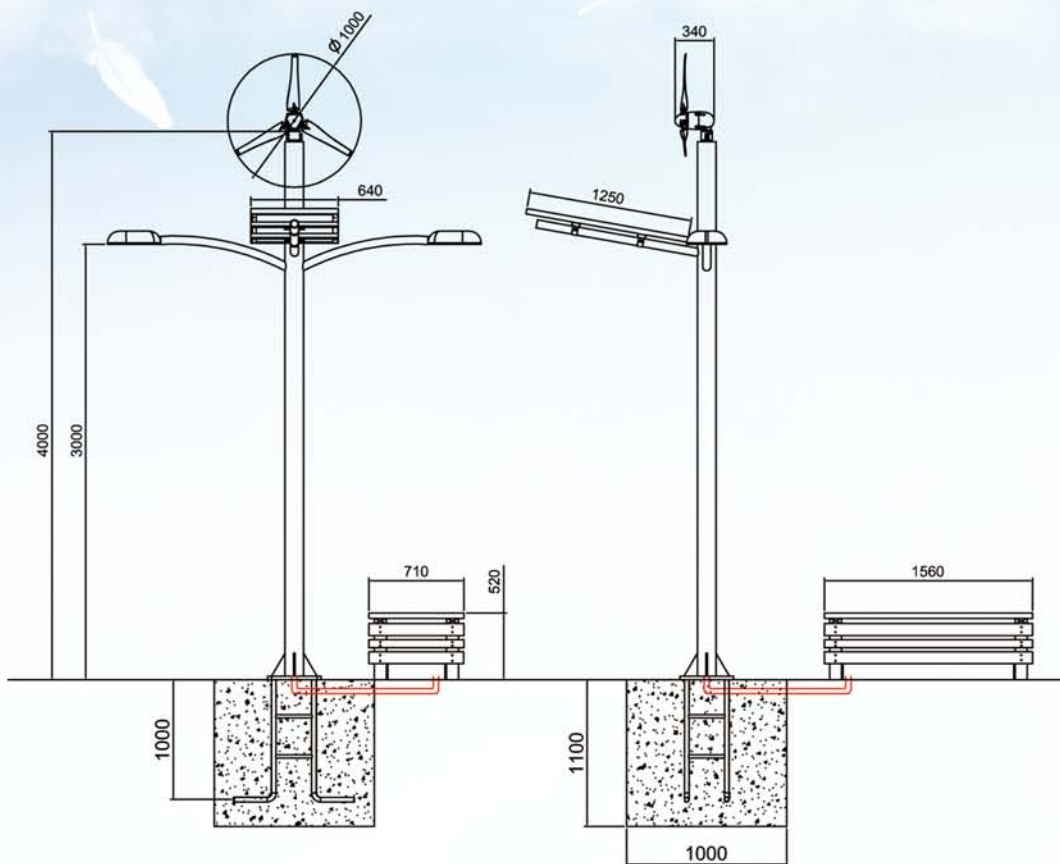


Hybrid LED Street Light Dimension (mm)



Specification:

Model	LED (W)	CCT (typ.)	PV (W)	Wind turbine (W)	Batt. (Ah)	Operating Hour (varies by location)	Autonomous Days (varies by location)
HL1-D10-100-65-100	10x2	6000K±15	65	100	100	10~12 hrs	4~5 days

Characters:

- CIGS PV Module complies with TUV
- LED lamp head complies with IP64
- Smart PWM / MPPT charge control, CE qualified
- Electrical cabinet: Alum. with powder coating
- Seat: Angelim Pedra (Hymenolobium excelsum), high pressure environmental wood preservation
- Elevating tower: hot dip galvanizing and powder coating
- Easy maintain and installation, safe, firm

Application:

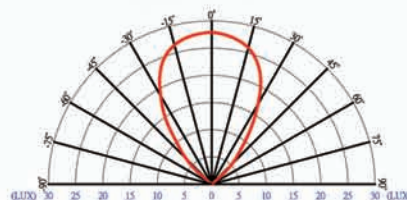
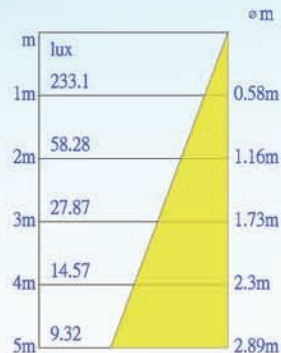
- Wire electricity unreachable or unstable place
- Location where wire electric power circuit hard to be built
- Park, campus, pathway, walkway
- Seaside, dock, pier and public illumination

Hybrid LED Street Light

Features of Wind Turbine:

- Horizontal axis design to collect wind energy efficiency
- Direct drive style, high efficiency and low rotation speed permanent magnet generator
- Air-drive high efficiency blade design, the wind turbine starts in low wind speed
- Low rotational speed and with low noise
- Lightweight design, and easy to install
- Advanced and convenient controller, and high wind speed protecting system
- Simple but strong structure design, without any special maintenance

Candle Power Distribution Curve



HG1-0100 Wind Turbine		Hybrid Controller	
Type	down-wind	System voltage	12VDC
Rated power	100W(12m/s)	Max open voltage	50VAC
Rated rotor speed	920rpm	Max circuit	40A
Output voltage	12VDC	Max open voltage	70VDC
Rotor diameter	1,000mm	Max circuit	20A
Weight (incl. blade)	6Kg	Max load circuit	10A
Blade material	PP+GF	Cut out voltage	11.5VDC
Body material	Aluminum Alloy	Operating voltage	10~15VDC
Generator	Three-phase synchronous permanent magnet generator	Float voltage	14VDC
Yaw control	Free(360°)	Display	Voltage display, start light display
Start-up wind speed	2.5m/sec	Protect	LVD protect, over load, ground, manual break
Control system	Auto safety control	Alarm	Load blink alarm, voltage unusual alarm
Braking system	Electronic stall regulation		
Survival wind speed	60m/sec	Dip switch mode	2hr、4hr、6hr、8hr、10hr、12hr、night light up, not movements