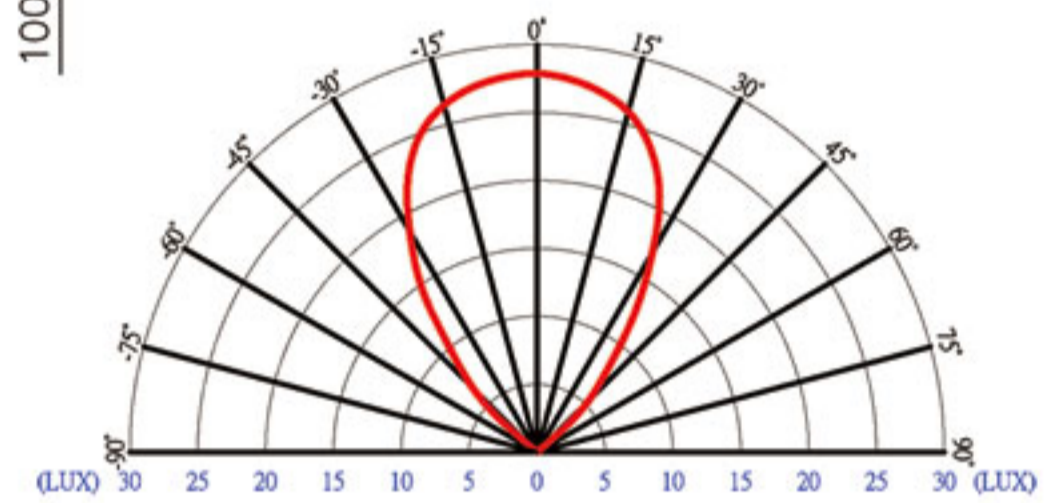
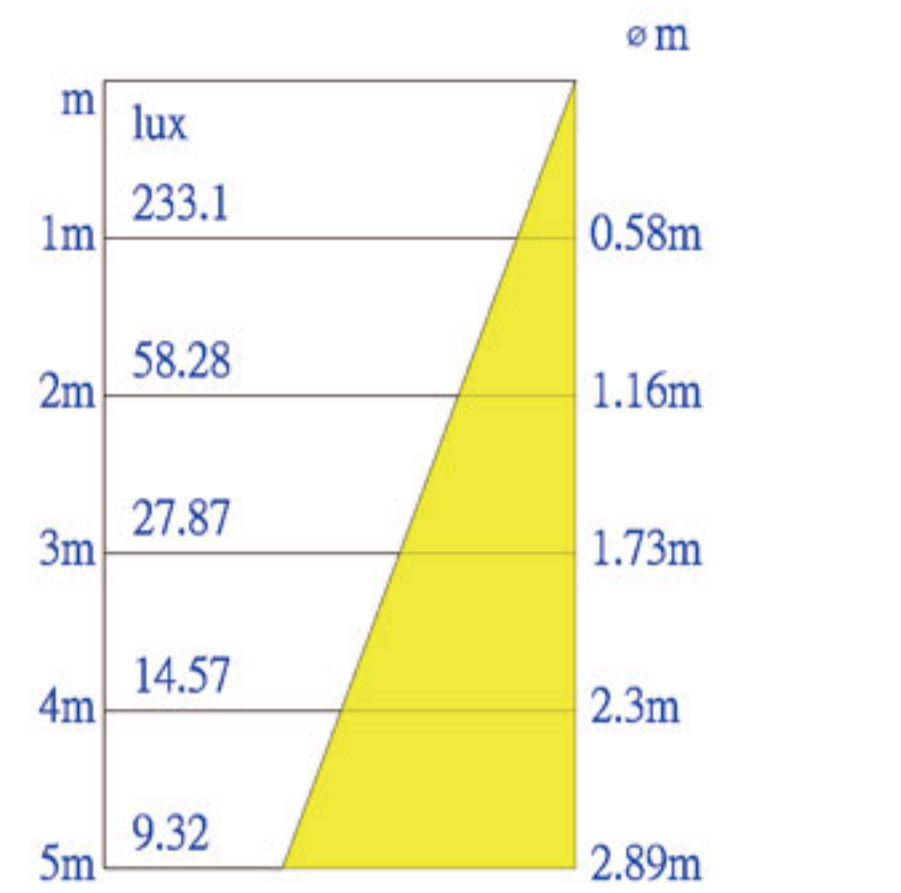
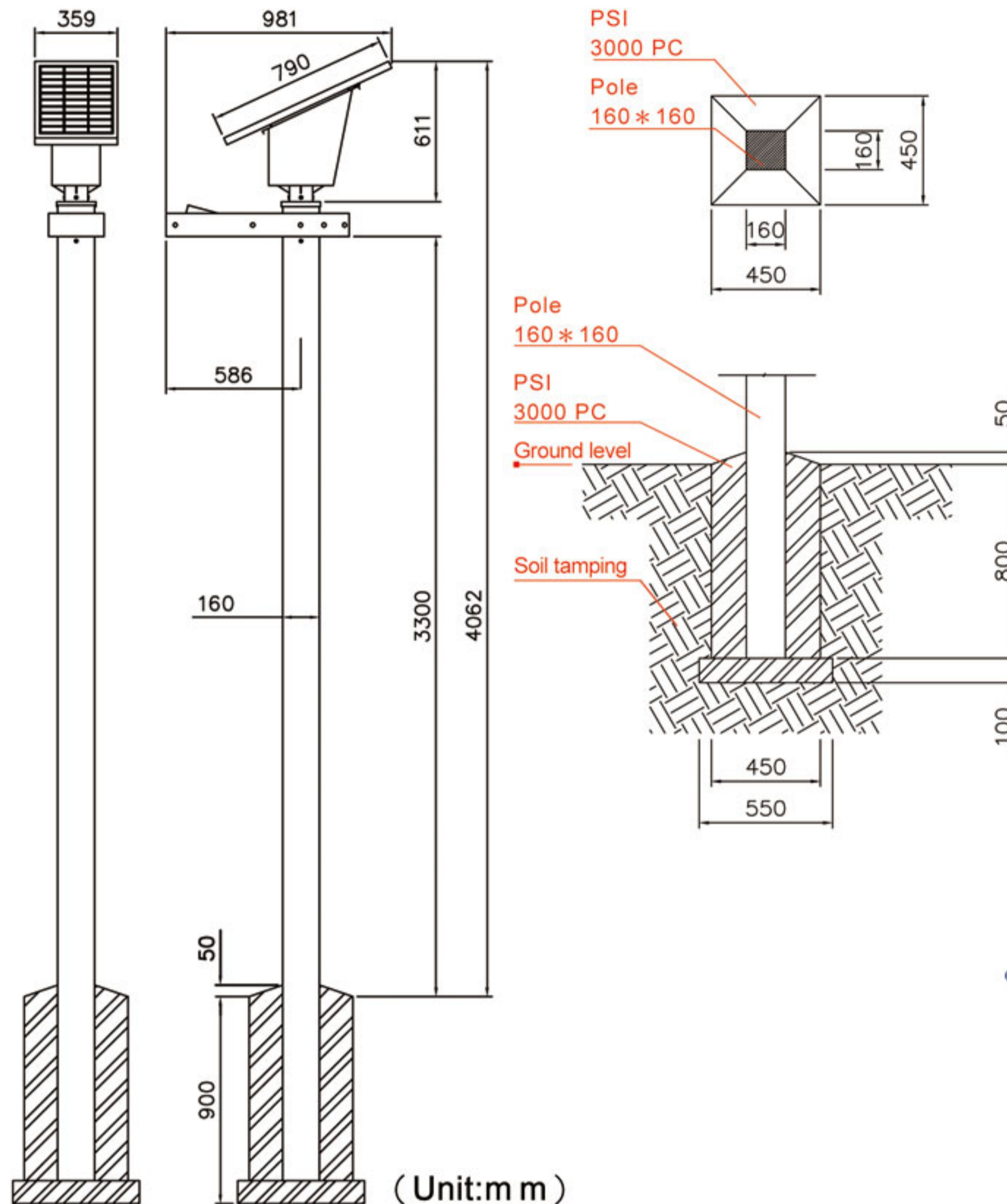
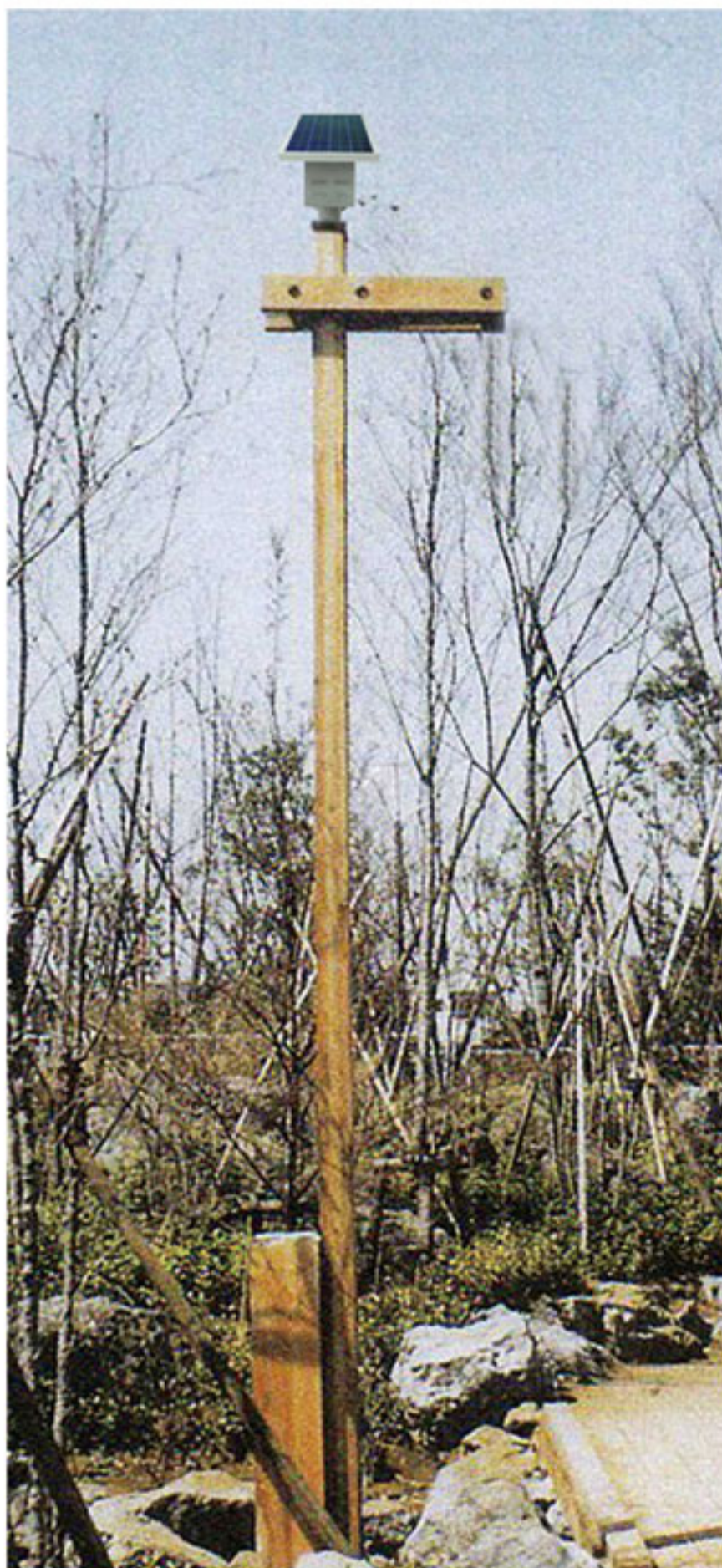


Solar LED Street Light

Candle Power Distribution Curve



Model	LED (W)	Efficacy (lm/W)	Luminous Flux (lm)	PV (W)	Batt. (Ah)	Operating Hour (varies by location)	Autonomous Days (varies by location)
SL-3-10-35-50	10	45	450	35	50	6~10 hrs	4~7 days
SL-3-10-35-75					75	6~10 hrs	7~11 days

Introduction:

Light Focus' SL-3 series including solar, controller, and lamphead. It use high power LED including 10W LED light source series products. It has excellent features like long lifetime (min. 20,000 hrs), high luminous efficacy and reduces environmental pollution. The solar controller is designed for a standalone solar lighting system that can be dimmable, extends lamp life, reduce total cost of ownership and environmental pollution.

Features:

- Smart PWM / MPPT charge control ,CE qualified
- LED lamp head complies with IP64,6000K±15%,white light
- PV Module complies with TUV
- VRLA battery complies with UL
- Electrical cabinet: Alum. with powder coating
- Pole: Tonka Bean (Dipteryx odorata(Aubl.)willd), MCA environmental wood preservation
- Acid & alkali resistance, easy maintain and installation, safe, firm

Application:

- Wire electricity unreachable or unstable place
- Location where wire electric power circuit hard to be built
- Park, campus, pathway, walkway
- Seaside, dock, pier and public illumination