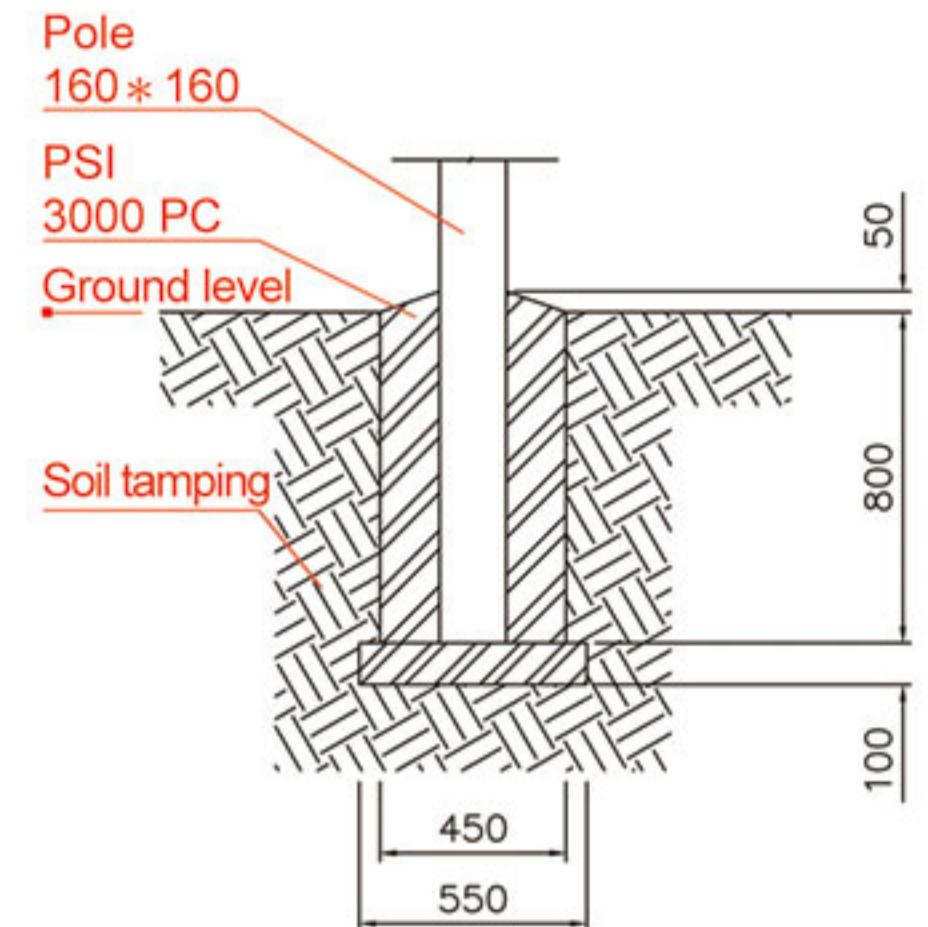
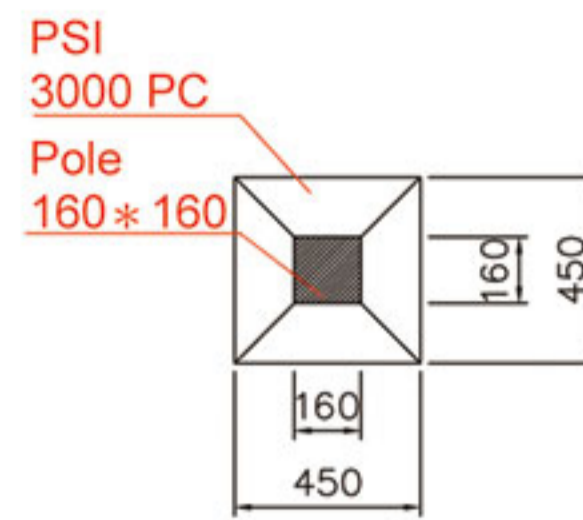
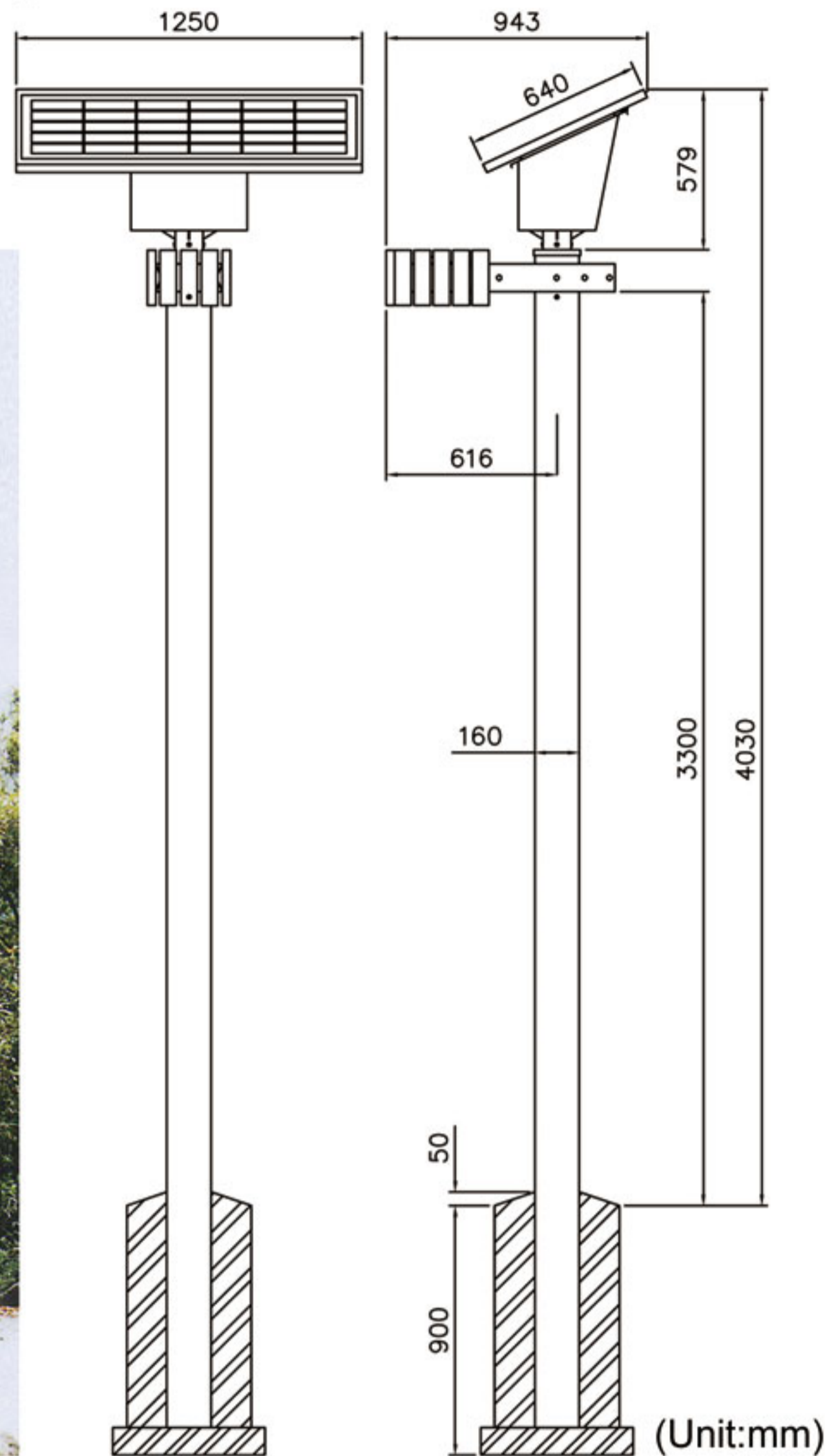
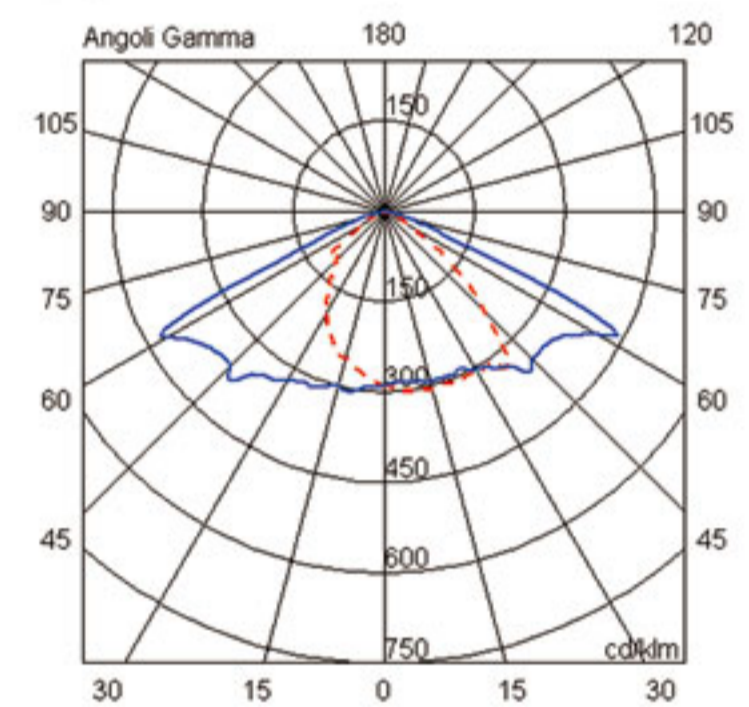
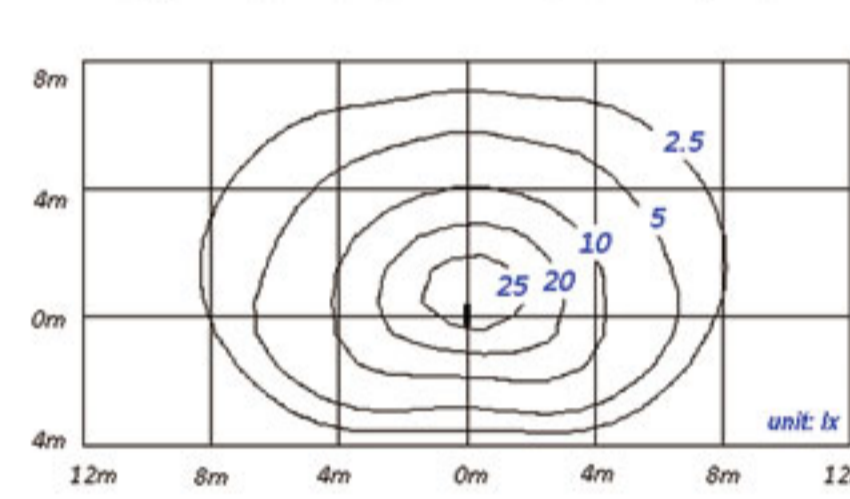


Solar LED Street Light



Candle Power Distribution Curve

4m height isoline (Tilt Angle 15°): max. illuminance=25 lx



Specification:

Model	LED (W)	CCT (typ.)	Output Lumens (lm)	PV (W)	Batt. (Ah)	Operating Hour (varies by location)	Autonomous Days (varies by location)
SL-4-24-65-100	24	3000K±15%	1,430	65	100	4~8 hrs	4~6 days
SL-4-24-65-150					150	4~8 hrs	7~9 days

Introduction:

Light Focus' SL-4 series including CIGS PV module, controller, and lamphead. It use high power 24W LED light which has excellent features like long lifetime, high luminous efficacy and reduces environmental pollution. The solar controller is designed for a standalone solar lighting system that can be dimmable, extends lamp life, reduce total cost of ownership and environmental pollution.

Features:

- Smart PWM / MPPT charge control ,CE qualified
- LED lamp head complies with IP65, CE, UL
- CIGS PV Module complies with TUV
- VRLA battery complies with UL
- Electrical cabinet: Alum. with powder coating
- Pole: Tonka Bean (Dipteryx odorata(Aubl.)willd), MCA environmental wood preservation
- Acid & alkali resistance, easy maintain and installation, safe, firm

Application:

- Wire electricity unreachable or unstable place
- Location where wire electric power circuit hard to be built
- Park, campus, pathway, walkway
- Seaside, dock, pier and public illumination