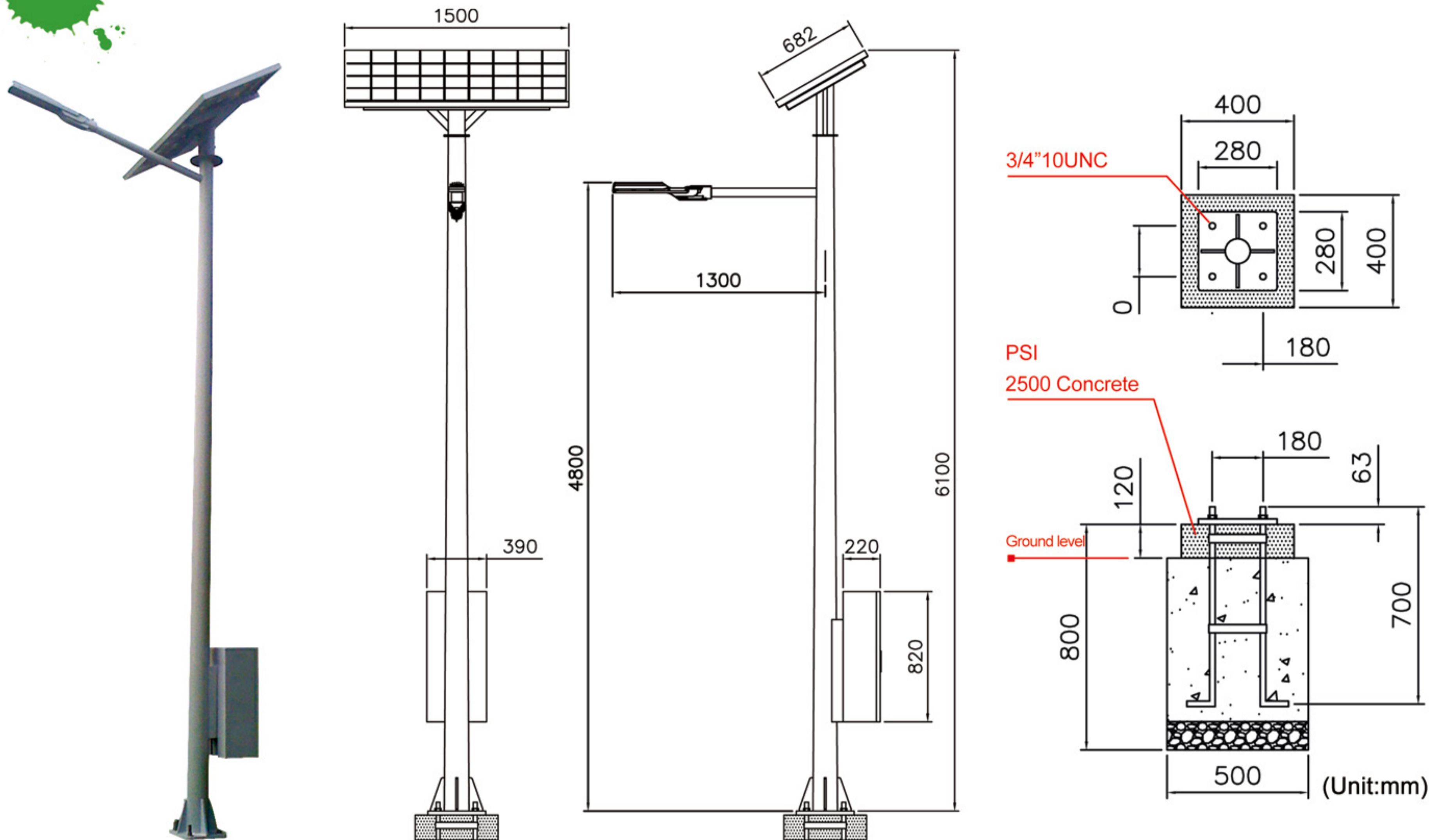


Solar LED Street Light



Model	LED (W)	CCT (typ.)	Output Lumens (lm)	PV (W)	Batt. (Ah)	Operating Hour (varies by location)	Autonomous Days (varies by location)
SL-5-24-130-100	24	3000K±15%	1,430	130	100	6~10 hrs	3~5 days
SL-5-36-130-150	36		1,670		150	4~8 hrs	4~8 days

Light Focus' SL-5 series including PV module, controller, and lamphead. It uses high power LED light which has excellent features like long lifetime, high luminous efficacy and reduces environmental pollution. The solar controller is designed for a standalone solar lighting system that can be dimmable, extends lamp life, reduce total cost of ownership and environmental pollution.

Features:

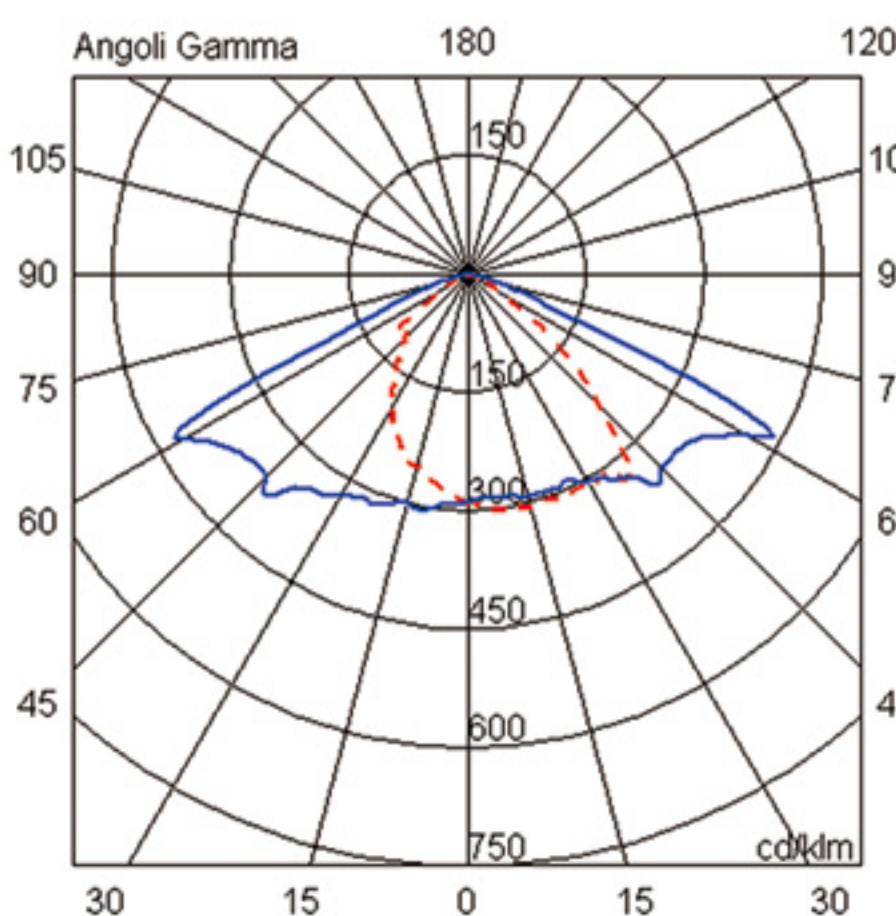
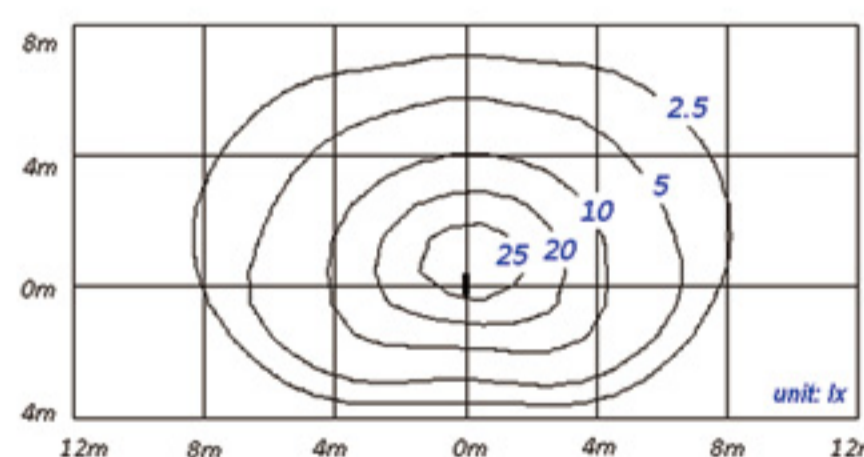
- Smart PWM / MPPT charge control, CE qualified
- LED lamp head complies with IP65 and CE
- PV Module complies with TUV
- VRLA battery complies with UL
- Electrical cabinet: Alum. with powder coating
- Pole: hot dip galvanizing and powder coating
- Easy maintain and installation, safe, firm

Application:

- Wire electricity unreachable or unstable place
- Location where wire electric power circuit hard to be built
- Park, campus, pathway, walkway
- Dock, pier and public illumination

Candle Power Distribution Curve

24W
4m height isoline (Tilt Angle 15°):
max. illuminance=25 lx



36W
4m height isoline:
max. illuminance=29 lx

